

COUPLING

Coupling for all ferrous pipes, GRP* and PVC, suitable for use with water and neutral liquids (sewage), to a maximum temperature of +70°C.

Features:

- Can be fabricated in any size, within the design range DN350 to DN1200mm.
- Corrosion resistant construction.
- Short lead times.
- EPDM seals.
- Fusion bonded epoxy coating.
- Sheraplex® coated bolt sets.
- Sealing range nominal diameter +2mm to -5mm.

Options:

- Special sizes manufactured to order.
- Bolts and nuts:
Zinc plated & passivated
stainless steel.

Note: This fitting is not designed for end load resistant applications.

* Suitable only for cc-GRP (centrifugally cast-glass reinforced polyester)



COUPLING

Test

1.5 x PN

SERVICE CONDITIONS

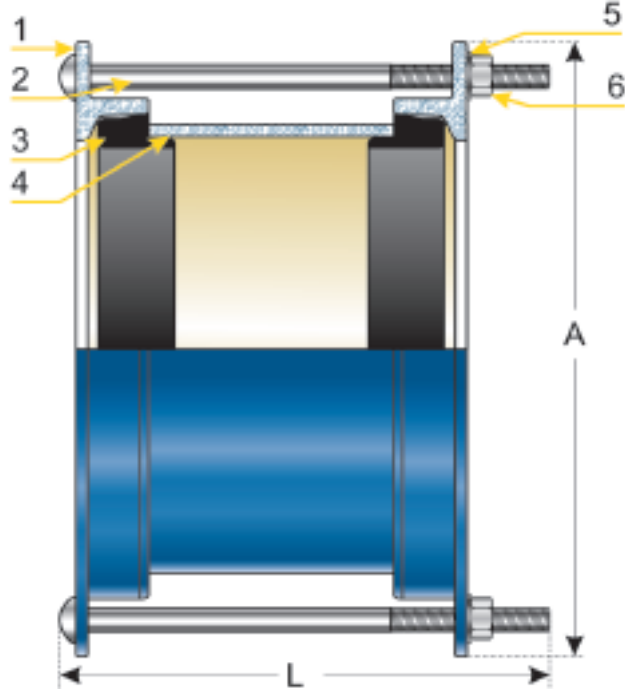
Maximum Working Pressure: 16 Bar.
 Temperature Range: -10°C to +70°C.
 Insulation essential for temperatures of 0°C and below.

APPLICABLE STANDARDS

Coating: WIS-4-52-01. Bolt sets WIS 4-52-03.

MATERIALS OF CONSTRUCTION

No.	DESCRIPTION	MATERIAL
1	Gland Rings	Mild steel, grade FE 430 B. BS EN 10025 :1990.
2	Bolts	Cup square grade 8.8 Sheraplex® coated.
3	Rubber Seals	EPDM to BS EN 681-1. WRAS approved.
4	Body	Mild steel, grade FE 430 B. BS EN 10025: 1990.
5	Washers	Zinc plated and passivated.
6	Nuts	Hexagon, grade 8, Sheraplex® coated.
	Coating	Fusion bonded epoxy coating to WIS 4-52-01 or wet sprayed dependent upon size. WRAS approved.



DIMENSIONS & WEIGHTS

DN	Nom. O.D. mm	A mm	L mm	Bolts	Weight kg
14" ST	355.6	466	270	8	25
350 DI	378	488	270	8	27
14" AB	387	497	270	8	27
14" CD	399	509	270	8	28
16" ST	406.4	516	270	8	29
400 DI	429	539	270	8	30
16" AB	439	549	270	8	31
16" CD	453	563	270	8	32
18" ST	457.2	567	270	10	32
450 DI	480	590	270	10	33
18" AB	492	602	270	10	34
18" CD	507	617	270	10	35
20" ST	508	618	270	10	35
500 DI	532	642	270	10	37
20" AB	545	655	270	10	37
20" CD	560	670	270	10	38
24" ST	609.6	720	270	10	41
600 DI	635	745	270	10	43
24" AB	650	760	270	10	44
24" CD	667	777	270	10	45
28" ST	711.2	821	270	12	48
27" AB	729	839	270	12	49
700 DI	738	848	270	12	49
27" CD	747	857	270	12	50
30" AB	807	917	270	12	53
32" ST	812.8	923	270	12	54
30" CD	826	936	270	12	55
36" ST	914.4	1024	270	14	60
900 DI	945	1055	270	14	62
36" AB	964	1074	270	14	63
36" CD	985	1095	300	14	64
40" ST	1016	1126	300	14	67
1000 DI	1048	1158	300	14	68
42" AB	1121	1231	300	14	73
42" CD	1143	1253	300	14	74
48" ST	1220	1330	300	16	79
1200 DI	1255	1365	300	16	81
48" AB	1277	1387	300	16	82
48" CD	1300	1410	300	16	84

When Ordering: ST = Steel/PVC DI = Ductile Iron AB = Cast Iron CD = Cast Iron Bolts: Y = 0 for zinc plated and passivated.